

BRINKMANN®

miniQbeam®

Halogen Spotlight

⚠ WARNING

READ AND FOLLOW ALL WARNINGS
AND INSTRUCTIONS IN THIS
MANUAL TO AVOID PERSONAL
INJURY OR PROPERTY DAMAGE.



OWNER'S MANUAL &
OPERATING INSTRUCTIONS

IMPORTANT SAFETY WARNINGS



**READ AND FOLLOW ALL SAFETY WARNINGS AND INSTRUCTIONS IN THE OWNER'S MANUAL
BEFORE OPERATING SPOTLIGHT.**



WARNING

- Never place spotlight lens (face) down when light is on or is still hot from recent use. Doing so could burn or ignite surfaces such as seats, carpeting, etc. and cause major property damage. Always turn spotlight off and disconnect from power source when not in use.
- To prevent serious damage to eyesight, never look into spotlight when light is on. Do not shine light into the face of someone else.
- Do not touch lens of spotlight when light is on or if it was recently on. The lens will be hot and could cause serious burns.
- Do not place spotlight in water. Keep all components dry and out of water at all times.
- Keep cigarette lighter plug dry and out of water at all times.
- Do not allow children to handle or operate this spotlight.
- Do not use this product for other than its intended use.
- Do not operate in close proximity of combustible or flammable materials.
- Do not attempt to operate spotlight if cord, plug, bulb or any part of the spotlight is damaged or corroded.
- Only use DC lighter plug that is provided with the Mini-Q-Beam® spotlight or its replacement.
- Do not dispose of batteries in fire as this may result in explosion.
- Batteries must be recycled or disposed of properly. Contact your local county solid waste authority for proper recycling or disposal information.

USE CAUTION AND COMMON SENSE WHEN OPERATING YOUR SPOTLIGHT.

**FAILURE TO ADHERE TO THE SAFETY WARNINGS AND GUIDELINES IN THIS MANUAL
COULD RESULT IN BODILY INJURY OR PROPERTY DAMAGE.**

SAVE THIS MANUAL FOR FUTURE REFERENCE.

OPERATING INSTRUCTIONS

⚠ READ AND FOLLOW ALL SAFETY WARNINGS AND INSTRUCTIONS IN THE OWNER'S MANUAL BEFORE OPERATING SPOTLIGHT.

Inspect contents of the box to ensure all parts are included and undamaged.



Parts List

- ① Mini-Q-Beam® spotlight
 - ② 12-volt DC lighter plug
- Owner's Manual

The Mini-Q-Beam® spotlight operates from 4 D size batteries or from a 12-volt DC lighter plug.

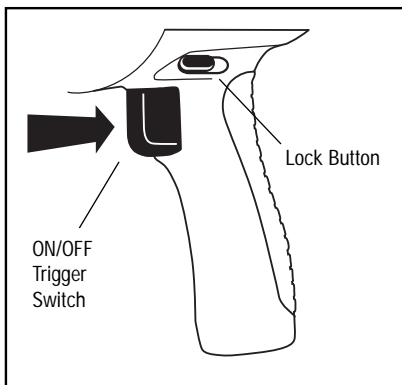
Mini-Q-Beam Using 4 D Size Batteries (Cordless Mode): Always use alkaline batteries for maximum brightness and longer run times.

Step 1: Follow instructions under “To Replace Batteries” on page 4.

Step 2: Depress trigger switch in handle to turn spotlight ON.

Step 3: Release trigger switch to turn spotlight OFF.

⚠ WARNING: Never place spotlight lens (face) down when light is on or is still hot from recent use. Doing so could burn or ignite surfaces such as seats, carpeting, etc. and cause major property damage. Always turn spotlight off and disconnect from power source when not in use.



To Operate

To Operate (continued)

Mini-Q-Beam Using 12-Volt DC Lighter Plug: When using the 12-volt DC lighter plug, batteries may be left in or taken out of the spotlight.

- Step 1:** Plug the 12-volt DC lighter plug into the socket located on the back of the spotlight as shown in Illustration 1.
- Step 2:** Plug the other end of the 12-volt DC lighter plug into a cigarette lighter plug for power.
- Step 3:** Depress trigger switch in handle to turn spotlight ON.
- Step 4:** Release trigger switch to turn spotlight OFF.

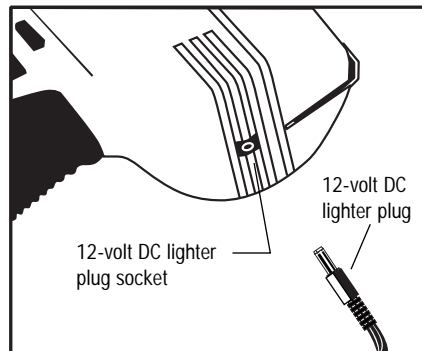


Illustration 1

Continuous Beam Using Lock Button:

- Step 1:** For a continuous beam, depress trigger switch and push the lock button to the LOCKED position as shown in Illustration 2.
- Step 2:** To unlock and turn spotlight OFF, push the lock button to the UNLOCKED position as shown in Illustration 3.

NOTE: To lock the Mini-Q-Beam in the OFF position, release trigger switch, then push the lock button to the LOCKED position as shown in Illustration 2.

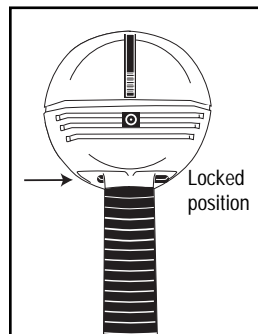


Illustration 2

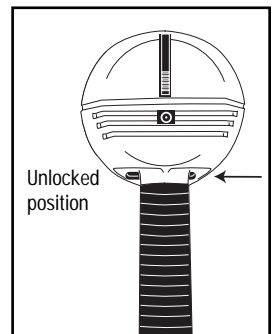


Illustration 3

Always use alkaline batteries for maximum brightness and longer run times.

- Step 1:** With spotlight facing up, turn head assembly counter-clockwise and remove. The reflector, bulb and battery plate will be attached to the head assembly.
- Step 2:** Remove old batteries and replace with new 4 D size alkaline batteries.
- Step 3:** Place the batteries in the compartment in the following configuration $\begin{matrix} - & + \\ + & - \end{matrix}$ (negative side up, positive side up & positive side up, negative side up) as shown in Illustration 4.
- Step 4:** Replace the head assembly by aligning the grooves on each side of the battery plate with the grooves on the insides of the spotlight.
- Step 5:** Turn head assembly clockwise until secure.

Only use Brinkmann halogen bulb that is designed for the Mini-Q-Beam spotlight as a replacement. Use of any other bulb may result in poor performance and may damage your spotlight.

- Step 1:** With spotlight facing up, turn head assembly counter-clockwise and remove. The reflector, bulb and battery plate will be attached to the head assembly.
- Step 2:** Firmly grip the battery plate and gently pull way from the head and reflector.
- Step 3:** Remove old bulb from bulb holder in center of the battery plate. Replace with new bulb.
- Step 4:** Gently press the head and reflector onto the battery plate to re-attach.
- Step 5:** Replace the head assembly by aligning the grooves on each side of the battery plate with the grooves on the insides of the spotlight.
- Step 6:** Turn head assembly clockwise until secure.

To Replace Batteries

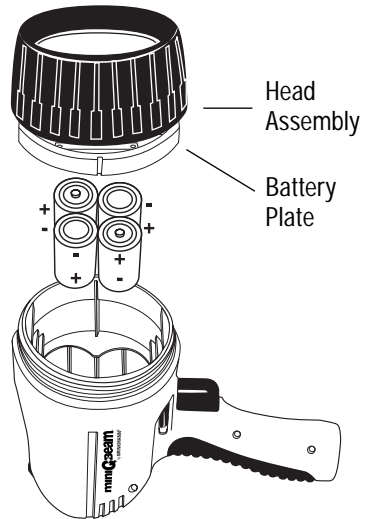


Illustration 4

To Replace Bulb

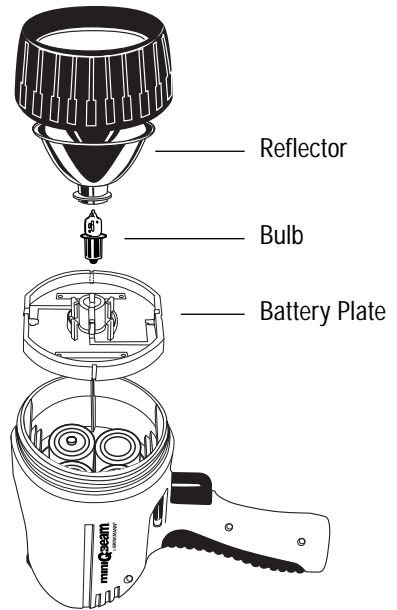
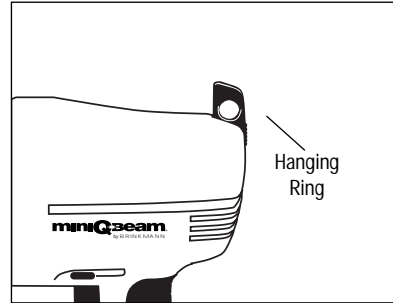


Illustration 5

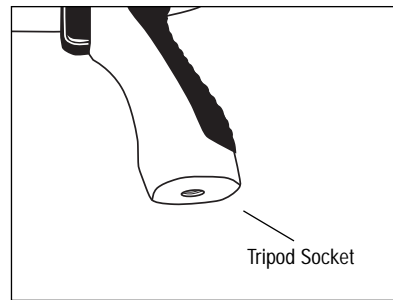
To Hang/Store Mini-Q-Beam

The retractable hanging ring allows spotlight to hang while in use or during storage.



To Mount Mini-Q-Beam On a Tripod

The built-in tripod socket allows spotlight to be mounted on most camera tripods for hands-free use.



Tips to Avoid Damage to Your Mini-Q-Beam Spotlight

- Never attempt to wipe or clean the inner reflective surface of the reflector. Touching or wiping the surface will damage it permanently.
- The lens is made of optical-quality plastic. Avoid dropping or sharp impact on spotlight to prevent damage.
- Do not allow hot lens to come in contact with water or materials subject to heat damage.
- The spotlight is weather resistant. It is not waterproof. Do not use the spotlight under water or store outdoors.
- Use only Brinkmann halogen bulb that is designed for your Mini-Q-Beam spotlight. Use of any other bulb may result in poor performance and may damage your spotlight.
- After months of use, cigarette lighters can build up corrosion that may prevent the DC lighter plug from making good contact. It may be necessary to clean the inside of your cigarette lighter receptacle with a fine emery cloth. Before cleaning receptacle, remove the fuse to prevent it from shorting out.

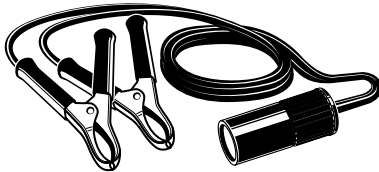
MINI-Q-BEAM ACCESSORIES

Rechargeable Battery Pack with Carrying Case

12-volt rechargeable battery pack adds total mobility to your Mini-Q-Beam. Includes cigarette lighter receptacle, 120-volt charging transformer and a heavy-duty, woven nylon carrying case with shoulder strap.

Model 802-1724-1 Black

Model 802-1725-1 Green Camo



Pigtail Adapters

Pigtail adapter with battery terminal clips allow Mini-Q-Beam spotlights with DC lighter plug to operate from a 12-volt battery.

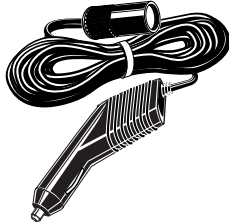
Model 802-1704-0 (2-Ft. Cord)

Model 802-1705-0 (10-Ft. Cord)

Lighter Plug Extension Cord

Features a 15-ft. cord with a cigarette lighter plug and receptacle.

Model 802-1706-0



Mini-Q-Beam 12-Volt DC Lighter Plug



Original replacement DC lighter plug for Mini-Q-Beam spotlight.

Model 110-1800-0

Replacement Bulb For Mini-Q-Beam

Original replacement halogen bulb for Mini-Q-Beam spotlight.

Model 802-1744-0



Mini-Q-Beam Replacement Lens

Original replacement lens for Mini-Q-Beam spotlight.

Model 500-1800-0



**LOOK FOR THESE ACCESSORIES AT YOUR LOCAL DEALER
WHERE MINI-Q-BEAM IS SOLD, OR ORDER DIRECT
BY CALLING 1-800-468-5252.**

1-YEAR LIMITED WARRANTY

For 1-year from date of purchase, The Brinkmann Corporation warrants the Mini-Q-Beam® spotlight against defects due to workmanship or materials to the original purchaser. The Brinkmann Corporation's obligations under this warranty are limited to the following guidelines:

- This warranty does not extend to the bulb or batteries.
- This warranty does not cover spotlights that have been altered or damaged due to: normal wear, abuse, improper maintenance, improper use, disassembly of parts and/or attempted repair by anyone other than an authorized employee of The Brinkmann Corporation.
- This warranty does not cover surface scratches or weathering as this is considered normal wear.
- Warranty service is limited to repair or replacement of spotlights which prove defective under normal use and which upon examination shall indicate to Brinkmann's satisfaction, they are defective. If Brinkmann confirms the defect and approves the claim, Brinkmann will elect to repair or replace the spotlight as covered by the terms of this warranty.
- This warranty extends to the original purchaser only and is not transferable or assignable to subsequent purchasers.

The Brinkmann Corporation requires reasonable proof of purchase. **Therefore, we strongly recommend that you retain your sales receipt or invoice.** To obtain repair or replacement of your Mini-Q-Beam® spotlight under the terms of this warranty, please call Customer Service Department at 1-800-527-0717 for a Return Authorization Number and further instructions. **A receipt will be required. A Return Authorization Number must be clearly marked on the outside of the box.** Spotlights returned to Brinkmann must include your name, address and telephone number. Please make sure the light is properly packed, postage prepaid, and insured. The Brinkmann Corporation will not be responsible for any spotlights forwarded to us without a Return Authorization Number.

EXCEPT AS ABOVE STATED, THE BRINKMANN CORPORATION MAKES NO OTHER EXPRESS WARRANTY.

THE IMPLIED WARRANTIES OF MERCHANTABILITY AND FITNESS FOR A PARTICULAR PURPOSE ARE LIMITED IN DURATION TO 1-YEAR FROM THE DATE OF PURCHASE. SOME STATES DO NOT ALLOW LIMITATIONS ON HOW LONG AN IMPLIED WARRANTY LASTS, SO THE ABOVE LIMITATION MAY NOT APPLY TO YOU.

ANY LIABILITY FOR INDIRECT, INCIDENTAL OR CONSEQUENTIAL DAMAGES ARISING FROM THE FAILURE OF THE MINI-Q-BEAM® SPOTLIGHT TO COMPLY WITH THIS WARRANTY OR ANY IMPLIED WARRANTY IS EXCLUDED. CUSTOMER ACKNOWLEDGES THAT THE PURCHASE PRICE CHARGED IS BASED UPON THE LIMITATIONS CONTAINED IN THE WARRANTY SET OUT ABOVE. SOME STATES DO NOT ALLOW THE EXCLUSION OR LIMITATION OF INCIDENTAL OR CONSEQUENTIAL DAMAGES, SO THE ABOVE LIMITATION OR EXCLUSION MAY NOT APPLY TO YOU. THIS WARRANTY GIVES YOU SPECIFIC LEGAL RIGHTS, AND YOU MAY ALSO HAVE OTHER RIGHTS WHICH VARY FROM STATE TO STATE.